



# Premium Fountain Pump

## 500 Gallons Per Hour

MODEL #PFP500

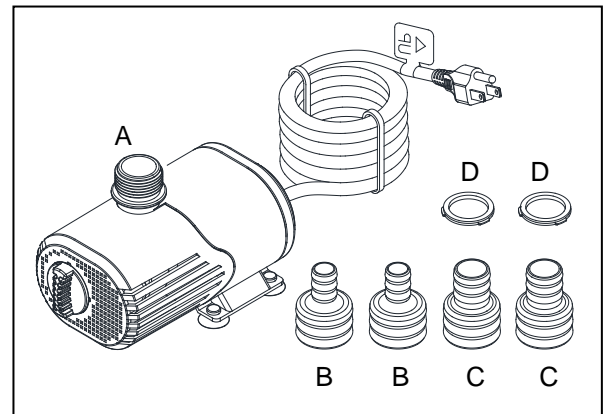
**REMINDER**  
**CALL 1-888-755-4497**  
**BEFORE RETURNING TO STORE.**



**Questions, problems, missing parts?** Before returning to your retailer, call our customer service department at 1-888-755-4497, 8 a.m.-6 p.m., EST, Monday-Friday, or email us at [customer care@smart-pond.com](mailto:customer care@smart-pond.com).

### PACKAGE CONTENTS

Part	Description	Quantity
A	Pump	1
B	1/2 in. ID tubing adapter	2
C	3/4 in. ID tubing adapter	2
D	Gasket	2



### WARNINGS AND CAUTIONS

#### WARNING

- Risk of electrical shock. This pump is supplied with a grounding conductor and grounding-type attachment plug. To reduce the risk of electric shock, be certain that it is connected only to a properly grounded, grounding-type receptacle.
- Do not exceed the voltage shown on the pump.
- Always disconnect pump from the power source before beginning any maintenance or work on the pump.
- Inspect cord for damage before installation and/or maintenance. Replace the entire pump assembly if damage is found.
- Do not remove the grounding pin from the power cord plug.
- To reduce the risk of electric shock, use only on portable, self-contained fountains no larger than 5 ft. in any dimension.
- Risk of electrical shock – This pump has not been investigated for use in swimming pool or marine areas.

#### CAUTION

- This pump has been evaluated for use with fresh water only.
- Use a proper power source as indicated on the pump label.
- Keep the cord away from high temperatures or other heat sources.
- Do not pump heated liquids.
- Do not let the pump run dry. Pump must be completely submerged for proper operation and cooling.
- Operate in freshwater only. Avoid heavily chlorinated water and water with high pH levels.
- Do not lift the pump by its power cord.



**PLEASE CALL 1-888-755-4497 BEFORE RETURNING TO THE STORE.**  
**WWW.SMART-POND.COM**

## PREPARATION

Before beginning assembly or operation of product, make sure all parts are present. Compare parts with package contents list and diagram above. If any part is missing or damaged, do not attempt to assemble, install or operate the product. Contact customer service for replacement parts.

- Estimated Assembly Time: 5 minutes
- No tools required for assembly.

## ASSEMBLY INSTRUCTIONS

1. Connect tubing to the outlet of the pump with the appropriate adapter and gasket. If use pump inside water, place the pump into the water and proceed to step 4, if using as an inline unit (out of water), proceed to the step 2. Fig. 1

NOTE: Tubing is NOT INCLUDED

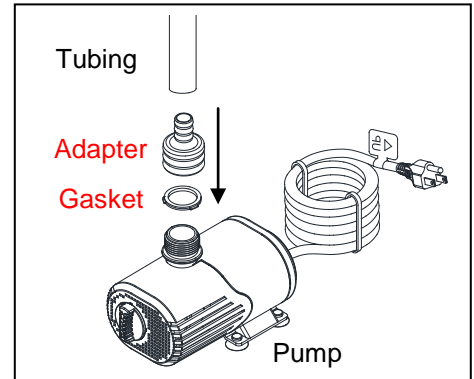


Fig. 1

2. Remove front cover from pump. Fig 2

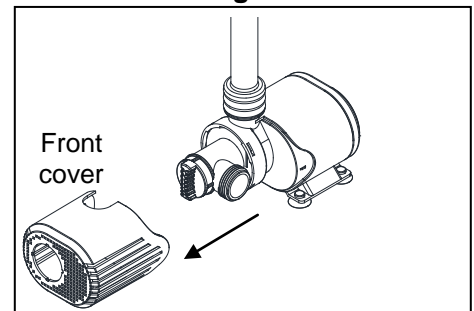


Fig. 2

3. Connect the tubing to the inlet of the pump with the appropriate adapter and gasket. Fig 3

NOTE: Pump must be below water reservoir to operate.  
Tubing is NOT INCLUDED.

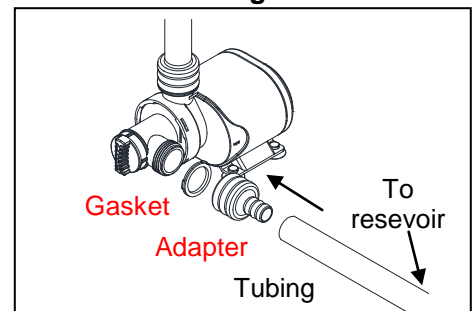
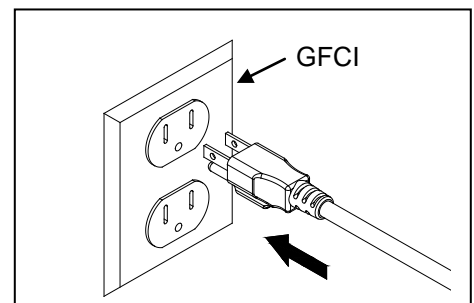


Fig. 3

4. Connect pump to a proper power source. Fig. 4



PLEASE CALL 1-888-755-4497 BEFORE RETURNING TO THE STORE.  
WWW.SMART-POND.COM

5. Adjust the flow control to the preferred setting. Fig. 5

Fig. 4

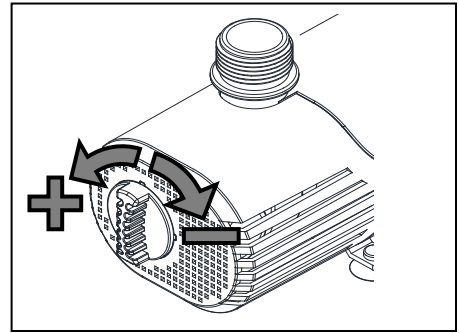


Fig. 5

## CARE AND MAINTENANCE

---

- Regular cleaning of the pump may be necessary depending upon the environment in which it is operated. Clean the pump when it is visibly soiled or when a drop in performance is detected.
- Before cleaning, always disconnect the pump from the power source.
- Remove all parts from the pump and clean in warm, soapy water.
- Disassemble the pump cover and remove the impeller cover to expose the impeller assembly. Remove the impeller assembly by gently pulling on the impeller blades. Use a soft cloth or brush to clean the impeller assembly and the inside of the impeller housing.

## TROUBLESHOOTING

---

If the pump fails to operate:

- Check to make sure the power cord is plugged in and the pump is getting power.
- Check the pump outlet and any tubing, fountains, spitters etc. for kinks or obstructions.
- Remove the inlet screen and/or pump cover, and impeller cover to expose the impeller. Turn the impeller to ensure that it is not broken or jammed.

If the performance of the pump is not satisfactory or the pump does not flow evenly:

- Check to make sure the pump is completely submerged in water.
- Check to make sure the impeller and the housing are clean.
- Adjust flow control.

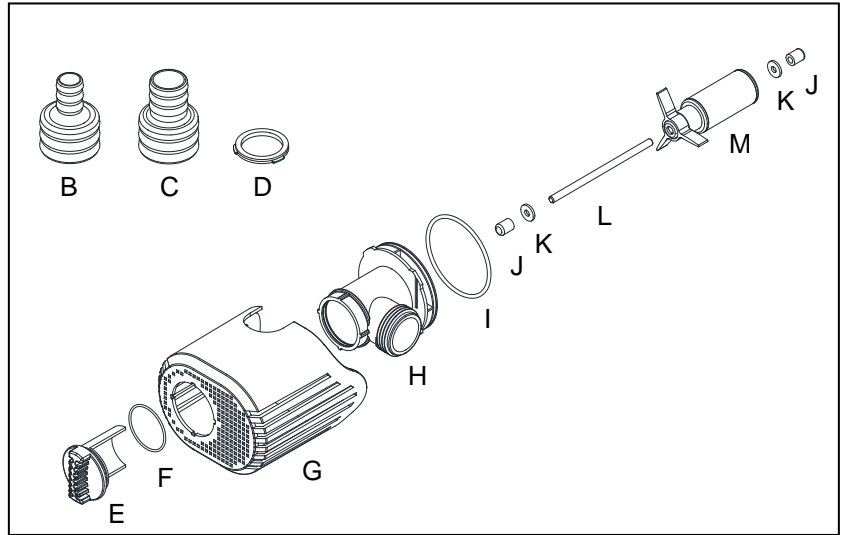


PLEASE CALL 1-888-755-4497 BEFORE RETURNING TO THE STORE.  
WWW.SMART-POND.COM

## REPLACEMENT PARTS LIST

For replacement parts, call our customer service department at 1-888-755-4497, 8 a.m.-6 p.m., EST, Monday-Friday.

Part	Description
B	1/2 in. ID tubing adapter
C	3/4 in. ID tubing adapter
D	Gasket
E	Flow control knob
F	Small O-ring
G	Front cover
H	Impeller cover
I	Large O-ring
J	Shaft support
K	Washer
L	Shaft
M	Impeller assembly



## PUMP PERFORMANCE

<b>Flow Rates/Flujo (GPH)</b>					
<b>Lift / Elevación ( feet )</b>	8'				
	7'			100	
	6'			175	
	5'		95	235	
	4'		145	290	
	3'		25	190	350
	2'	40	70	230	410
	1'	74	120	275	470
	0'	92	150	312	525
	<b>PFP80</b>	<b>PFP155</b>	<b>PFP300</b>	<b>PFP500</b>	
<b>Pumps/Bombas</b>					



PLEASE CALL 1-888-755-4497 BEFORE RETURNING TO THE STORE.  
WWW.SMART-POND.COM

Printed in China

## LIMITED WARRANTY

---

All pumps and electrical products are warranted to the user against defective material and workmanship, under normal working conditions. This warranty period begins on the date of purchase by the original purchaser.

Unless otherwise specified all smartpond® electrical products are warranted to the user against defective material and workmanship, under normal working conditions for 1 year from the date of purchase.

- All smartpond® Pond Skins® EPDM liners are warranted to the user against defective workmanship, under normal working conditions for 20 years from the date of purchase.
- All smartpond® Pond Skins® PVC liners are warranted to the user against defective workmanship, under normal working conditions for life.
- All other smartpond® products are warranted to the user against defective material and workmanship, under normal working conditions for 90 days.

### **Application**

Warranty covers only properly installed and maintained units. Any damage to the cord or modification to the unit will invalidate the warranty. Pump warranty is limited to applications pumping fresh water in a pond or fountain only. Other liquid applications or extreme temperature uses must be approved in writing by the manufacturer. Receipt and product date code are required for warranty claims.

### **Warranty Claim**

**Warranty claims must be made by calling customer service (at 1-888-755-4497).** If the item is determined to be defective, you will be given authorization to return the defective part(s), freight pre-paid, along with proof of purchase.

### **Disposition**

The manufacturer will make a good faith effort for prompt disposition regarding all warranty claims. Returned product will be inspected to determine cause of failure before warranty is applied. Warranty does not cover any costs associated with the shipping, handling, installation or removal of products or parts subject to this warranty. For products damaged in transit, a claim should be filed with the carrier.

### **Disclaimer**

Any oral statements made about the product by the seller, the manufacturer, the representatives, or any other parties do not constitute warranties, should not be relied upon by the user, and are not part of the contract for sale. The seller's and manufacturer's only obligation, and buyer's only remedy shall be for the manufacturer to either replace and/or repair at the manufacturer's sole discretion, the product as described above. Neither seller nor the manufacturer shall be liable for injury, loss or damages for lost profits, lost sales, injury to person or property, or any other incidental or consequential loss arising from any cause whatsoever, no matter whether based upon warranty, contract, negligence or other misuse, and the buyer and user agree that no other remedy shall be available to them. Before using, the buyer and user shall determine the suitability of the product for the intended use, and assume all risk and liability whatsoever in connection therewith. The warranty and remedy described in this limited warranty is an exclusive warranty and remedy in lieu of any other warranty or remedy expressed or implied. All other warranties and remedies are hereby expressly excluded, including but not limited to any implied warranty of merchantability of fitness for any particular purpose. This warranty gives the buyer and user specific legal rights, and buyer and user may also have other rights which vary from state to state. Some states do not allow exclusions or limitations of incidental or consequential damages, so the above limitations or exclusions may not apply to you.

**REMINDER**  
**CALL 1-888-755-4497**  
**BEFORE RETURNING TO STORE.**



**PLEASE CALL 1-888-755-4497 BEFORE RETURNING TO THE STORE.**  
**WWW.SMART-POND.COM**